

Conveyor system -SPIRAL

F45
FT
FS
FL
FLP
F65
FM
FMP
F85
F85P
FH
FK
FKP
FB140
FB175
FB295
SPIRAL
FW
FLX
FMX
FHX
FBX175
FBX295
ACC
CA
FC
TOOL
IDX

Contents
Spiral

Conveyor system -SPIRAL

Spiral conveyor Configuration strings

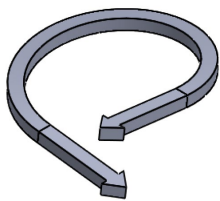
Diameter:
500 mm at center-line

Maximum number of winding: 4

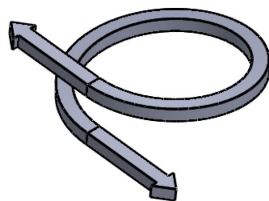
Maximum distance between winding:
200 mm

Maximum speed: 50 meter/min

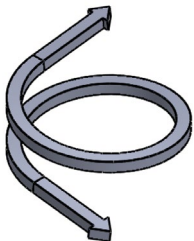
Maximum item weight: 1kg/meter



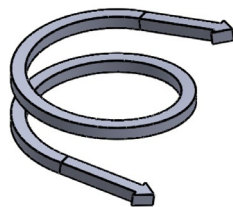
Spiral type : A



Spiral type : B



Spiral type : C



Spiral type : D

clock wise / counter clock wise
chain type : F85 / FB175 / FB295
center dimension :
 500mm / 1000mm / 1400 mm
winding : _____ winding
degree : _____ deg
pitch : _____ mm
H : _____ mm to _____ mm
(elevation : _____ mm)

F85 spiral Small Diameter



Conveyor system -SPIRAL



F45
FT
FS
FL
FLP
F65
FM
FMP
F85
F85P
FH
FK
FKP
FB140
FB175
FB295
SPIRAL
FW
FLX
FMX
FHX
FBX175
FBX295
ACC
CA
FC
TOOL
IDX

Conveyor system -SPIRAL

Spiral conveyor Configuration strings

Available chain widths:
83mm 175mm 295 mm

Diameter:
1000 - 1400 mm at center-line

Maximum angles: 10°

Maximum number of winding: 4

Maximum distance between winding:
762 mm

Maximum speed: 30 meter/min

Maximum item weight: 15kg

F85 spiral



FB175 spiral

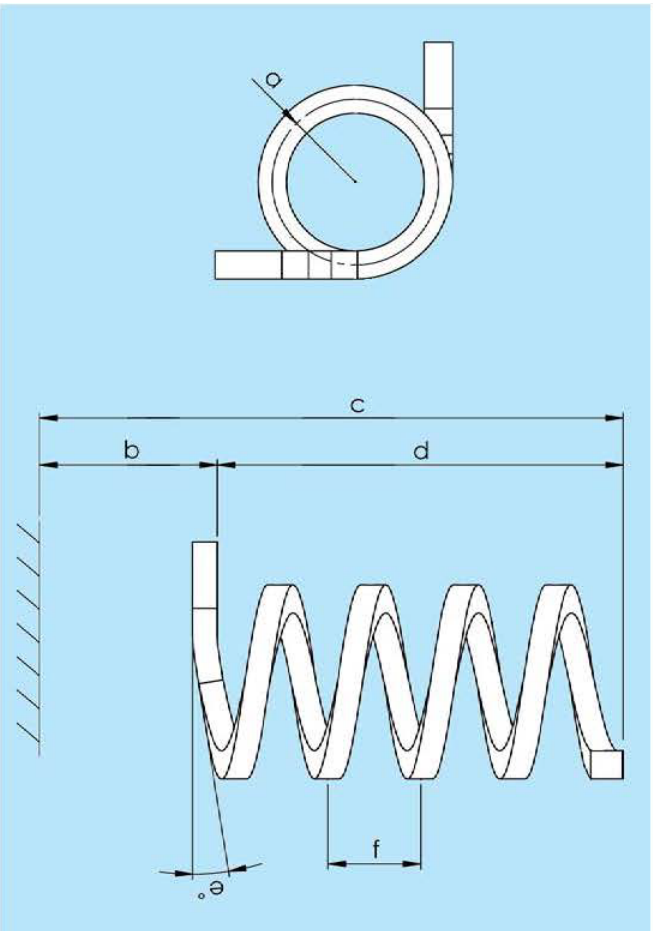


FB295 spiral



F45
FT
FS
FL
FLP
F65
FM
FMP
F85
F85P
FH
FK
FKP
FB140
FB175
FB295
SPIRAL
FW
FLX
FMX
FHX
FBX175
FBX295
ACC
CA
FC
TOOL
IDX

SPIRAL SPEC



	Center Diameter	Out Diameter	Belt Width	Elevation Max.	Product Weight Max. *	Speed Max. *
F85	500	585	83	1400	1 kg	50 m/min
F85	1000	1085	83	3450	15 kg	30 m/min
FB175 (FB180)	1400	1580	175	3450	15 kg	30 m/min
FB295 (FB300)	1400	1700	295	3450	15 kg	30 m/min

* The wear will be increased with overweight and speed

chain type	F85				FB175	FB295
	R250		R500		R700	R700
radius (a)	B		C		A/B/C/D	A/B/C/D
	CW/CCW	CW/CCW	CW/CCW	CW/CCW	CW/CCW	CW/CCW
infteet (b)	900	2150	900	2225	900	2300
	2150	900	2225	900	2300	900
outfeet (c)	1250		1325		1400	
	4		4.25		4.5	
elevation (d)	4		4.25		4.5	
	4		4.25		4.5	
winding	4		4.25		4.5	
	4		4.25		4.5	
degreeen (e)	4		4.25		4.5	
	4		4.25		4.5	
pitch (f)	4		4.25		4.5	
	4		4.25		4.5	

unit : mm /dea

